

# UNITED®

## 16" Stand Fan 3-IN-1 Model No.: USF-694



## Instructions Manual

Read carefully these instructions and store them for future reference

# Safety Warnings

When using electrical appliances, basic precautions should always be followed to reduce the risk of fire, electric shock and injury to persons, including the followings:

1. To prevent fire or shock hazard, DO NOT expose this appliance to rain or moisture.
2. Dangerous high voltages are present inside this enclosure. To avoid electric shock, DO NOT open the cabinet, refer servicing to qualified personnel only.
3. This appliance is intended for household use only and not for commercial, industrial or outdoor use. Other use not recommended may cause fire, electric shock or injury.
4. Ensure the fan is not placed near drapes, curtains, or any objects that may be drawn into the fan.
5. To protect against fire, electrical shock and injury to persons, do not immerse the unit, plug or cord in water or spray it with liquids.
6. The apparatus shall not be exposed to dripping or splashing and no objects filled with liquids. Products such as vases, shall not be placed on the product.
7. No naked flames sources, such as candles, should be placed on the product.
8. Ventilation should not be impeded by covering the ventilation openings. Slots and opening are provided for ventilation to ensure reliable operation of the product and to protect it from overheating.
9. Care required with the use of this apparatus in tropical climates. Do not use the appliance to temperatures over 40°C.
10. Place the fan on a stable level and dry surface when operating to avoid overturning.
11. Only connect to suitably AC 220-240V~50Hz mains socket.
12. Do not operate near an open flame, cooking or other heating appliances.
13. Do not operate the fan with a damaged cord or plug, after a malfunction or if it is dropped or damaged in any manner.
14. Do not operate the fan without the fan grilles properly in place.
15. Do not place the fan close to an open window. Rain splashing on the fan could cause an electric shock hazard.
16. Do not let the power cord hang over the edge of a table or counter or let it touch any hot surfaces.
17. Do not insert or allow foreign objects to enter the grille openings as this may cause damage to the appliance.
18. Do not use the fan if grille becomes damaged or loose.
19. This appliance can be used by children aged from 8 years and above and persons with reduced physical, sensory or mental capabilities or lack of experience and knowledge if they have been given supervision or instruction concerning the use of the appliance in a safe way and understand the hazards involved. Children shall not play with the appliance. Cleaning and user maintenance shall not be made by children without supervision.
20. Children of less than 3 years should be kept away unless continuously supervised. Children aged from 3 years and less than 8 years shall only switch on/off the appliance provided that it

has been placed or installed in its intended normal operating position and they have been given supervision or instruction concerning use of the appliance in a safe way and understand the hazards involved. Children aged from 3 years and less than 8 years shall not plug in, regulate and clean the appliance or perform user maintenance.

21. Switch the fan OFF and unplug it from the outlet when it is not in use, when moving fan from one location to another and before cleaning.

22. To disconnect, grip the plug and pull it from the wall outlet. Never pull by the cord.

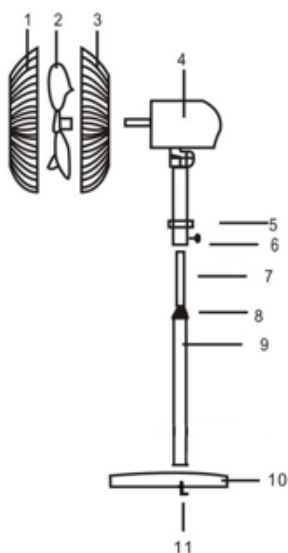
23. Do not attempt to repair, disassemble or modify the appliance. There are no user-serviceable parts inside. Refer all servicing to qualified service personnel.

24. For wall fan using, please install at a height of more than 2.3m above the floor

## READ AND SAVE THESE INSTRUCTIONS FOR FUTURE REFERENCE

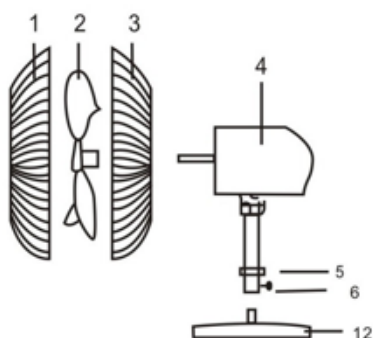
### FEATURES OF THIS PRODUCT

#### 1、STAND FAN

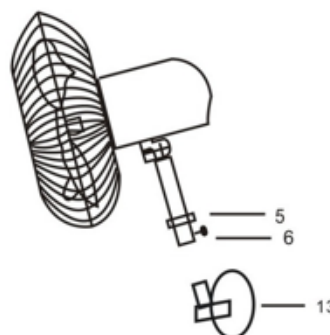


- 1、 Front Grill
- 2、 Blade
- 3、 Rear Grill
- 4、 Motor
- 5、 Switch
- 6、 Set Screw
- 7、 Inner Tube
- 8、 Height Adjustment Collar
- 9、 Outer Tube
- 10、 Round Base
- 11、 Base screw
- 12、 Table Fan Base
- 13、 Wall Mount Adapter

#### 2、TABLE FAN



#### 3、WALL FAN



## **PRODUCT ASSEMBLY**

### **ASSEMBLE OF BLADE AND GRILL**

- Unscrew the plastic mounting nut from the front of the motor housing by rotating it anti-clockwise.
- Position the rear grille against the front of the motor housing with the handle uppermost, ensuring that the locating pegs on the motor housing are engaged correctly in the holes of the rear grille.
- Tighten the Rear Grille Mounting Nut clockwise. **DO NOT OVERTIGHTEN IT.**
- Push the fan blade onto the motor shaft, locating the slot at the back of the blade on the drive pin that passes through the motor shaft.
- Tighten the blade cap by turning it anticlockwise.
- Position the front grille against the rear grille so that the holes in the rims that accept the small nut and bolt are in line. Insert the bolt through the holes and screw on the nut. Do not fully tighten at the stage.
- Push the grille retaining clips into position ensuring that they engage correctly on the rim of the grille.
- Fully tighten the small nut and bolt that passes through the rim of the grille.

### **ASSEMBLE OF BASE (For the stand fan using)**

- Secure the outer tube to the hub of Round Base and use the screw provided.
- Make sure to align the hole in the round base with those on the flange of the Outer Tube. Secure the flange to the bars with the base screw.
- Replace the Height Adjustment Collar on top of the Inner Tube. Pull the Inner Tube out from the Outer Tube to adjust the height and tighten the collar.
- If necessary, slightly loosen the Set Screw by turning it anticlockwise. Slide the fan body down over the Inner Tube and tighten the Set Screw. Make sure the Set Screw is secured.

### **ASSEMBLE OF TABLE BASE (For table fan using)**

- Align the Fan Assembly over the Table Base and push together until secure.
- Turn the Table Fan over and secure the 2 pieces together using the Table Base Screws.

### **ASSEMBLE OF wall mount (For wall fan using)**

Before installing the Wall Mount Adapter, ensure the fan location is close enough to a wall socket.

Caution: due to the weight of this product, it is required to be mounted into a wall stud. If not, this could cause the product to fall and / or damage the wall location it is mounted in.

- Place the Wall Mount Adapter against the wall and stud where you want to mount the fan.
- Level the Wall Mount Adapter.
- Mark the locations of the holes on the wall with a pencil.
- Using a 1/8 drill, drill the 2 holes for mounting.
- Place the base onto the wall, line the holes on the Wall Mount Adapter to the Wall holes, insert the 2 Wall Mount Screws and tighten securely.
- Remove the set screw from the base of the Fan Assembly and insert the screw.
- Insert the Wall Mount Adapter shaft into the Fan assembly.
- Tighten the set screw in the back of the Fan Assembly to secure the fan.

## **OPERATION CONTROL**

- Before using the fan, make sure that it is on a flat and stable surface. Damage may occur if the fan is placed on an incline.
- Insert the plug directly into a standard AC socket-outlet. Be sure that the plug fits tightly into the socket-outlet.
- Select the desired speed by turning the round knob from 1 up to 3. Select the 0 button to switch off
- Oscillation: Press or pull the relative oscillation knob on the housing of the motor to enable or disable this function.

## **Care and Cleaning**

- Always disconnect from the mains socket before cleaning.
- Avoid contact with moving fan parts.
- Use only a soft and damp cloth to clean the fan.
- DO NOT immerse the fan in water and never allow water to drip into the motor housing.
- Never spray the appliance with liquids or submerge the appliance in water or any other liquids.
- DO NOT use gasoline, paint thinner or other chemicals to clean the fan.
- Ensure that the fan is disconnected from the mains socket before removing.
- Clean the fan blade and grilles with a soft and damp cloth.
- Store the fan in its original box to protect it from dust and keep it in dry place, if it is not being used for a long period of time.

## **Technical Specifications**

**Power Supply: AC 220V~240V~50Hz**

**Power Consumption:50W**

## **NOTICE ABOUT RECYCLING**



Your product is designed and manufactured with high quality materials and components which can be recycled and reused.

This symbol means that electrical and electronic equipment, at their end-of-life, should be disposed of separately from your household waste. Please dispose of this equipment at your local community waste collection/ recycling centre.

In the European Union there are separate collection systems for used electrical and electronic products.

Please help us to conserve the environment we live in!

## **DECLARATION OF CONFORMITY**

Herewith, Kalliope Karyda & Co Lp. states that this product, complies with the requirements of below directives:

EMC-Directive: 14 / 30 / EU

Low Voltage Directive: 14/ 35 / EU

CE Marking: 93 / 68 / EEC

RoHS Directive: 11 / 65 / EU & 15/ 863 / EU

The detailed declaration of conformity can be found at

[www.united-electronics.gr](http://www.united-electronics.gr)



## **KALLIOPE KARYDA & CO, LP**

87A, 17is Noemvriou str, P.C. 55535

Pylaia, Greece

T: +302316006600 | F: +302316006650

[www.united-electronics.gr](http://www.united-electronics.gr)